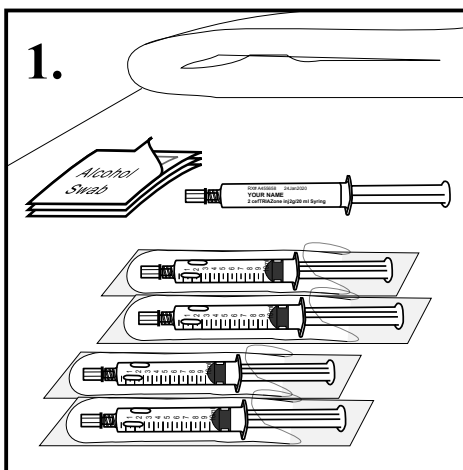


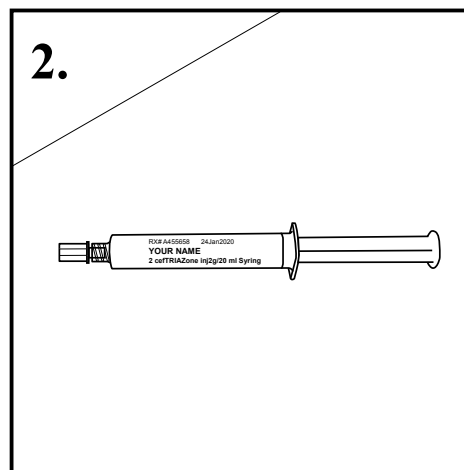
Administering Your Intravenous (IV) Medication by Syringe

EQUIPMENT:

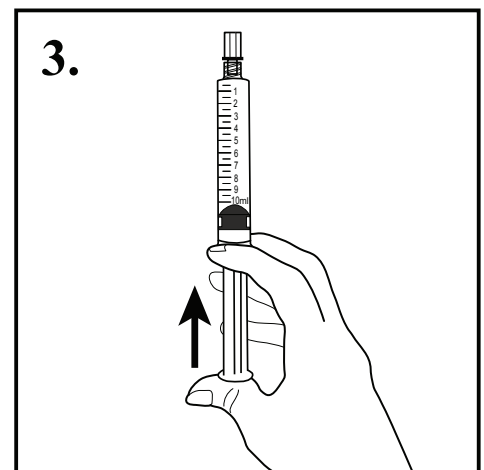
- The medicine syringe prepared by the pharmacy
- 4 x 10 mL pre-filled saline (NS) syringes
- 3 alcohol swabs



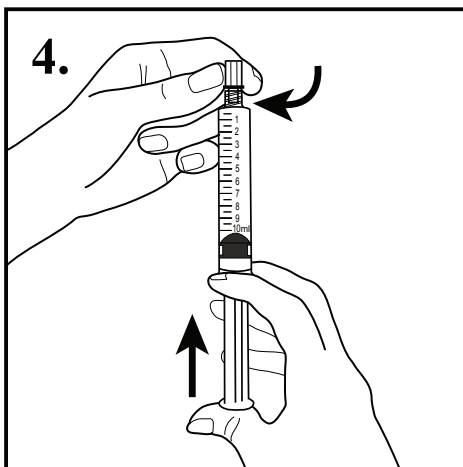
1. Wash your hands. Gather equipment and open packages on a **clean surface**. Remove the protective wrapping from all syringes. Make sure everything is within reach.



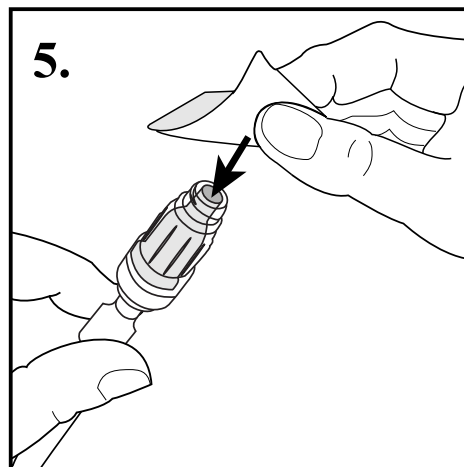
2. Check the medicine syringe label for your name and the medicine you are receiving. You will need to check this label every time you give yourself the medicine.



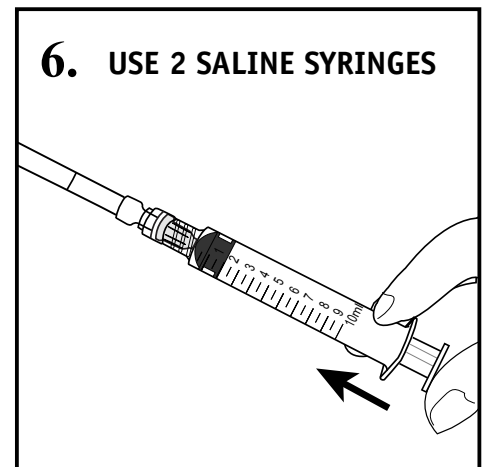
3. Prepare the pre-filled saline syringes and the medicine syringe in the same way. Press up on the plunger ('click').



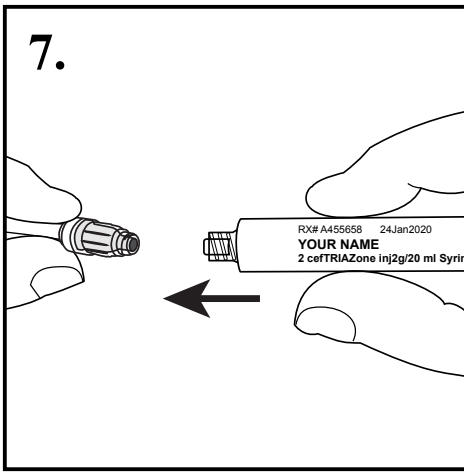
4. Loosen cap (half turn). Push gently on the plunger to remove air. Repeat for all the pre-filled saline syringes and the medicine syringe.



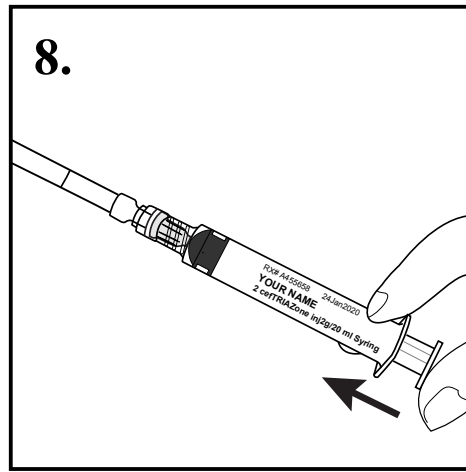
5. Scrub the IV cap with alcohol for 15 seconds and allow to dry. Do not touch the cap after it is clean. Remove the cap from the first saline syringe



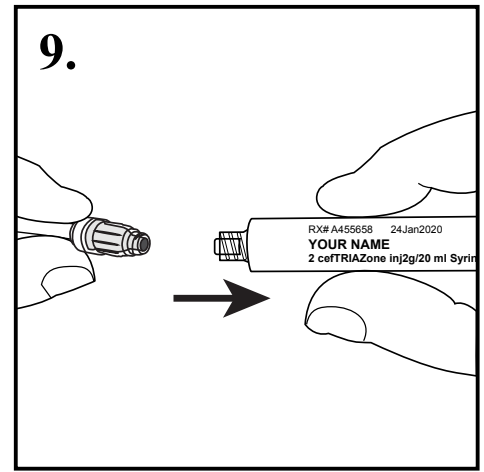
6. USE 2 SALINE SYRINGES Attach saline syringe to the IV - press and turn clockwise. Push plunger to inject saline using "start-stop" method. Repeat with second syringe.



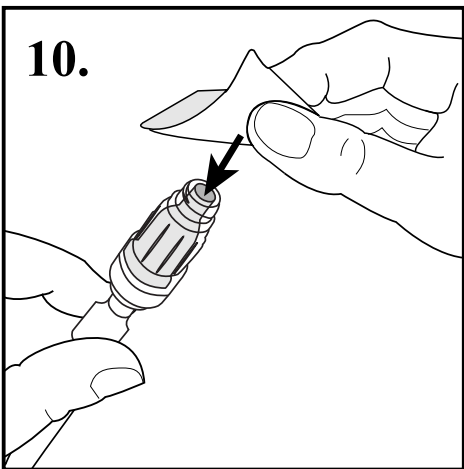
7. If the cap was touched, repeat cleaning. Remove the cap from the medication syringe and attach it to the IV.



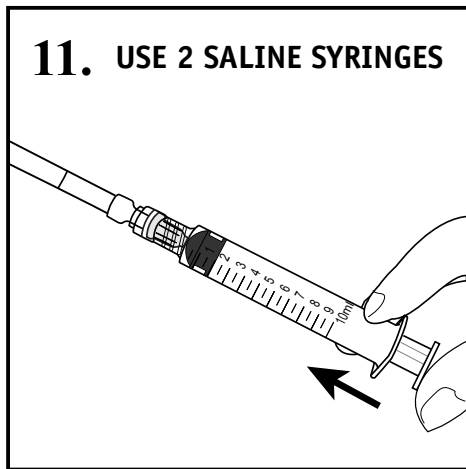
8. Inject 2 mL of medicine every 30 seconds until the syringe is empty. This will take 5 minutes in total.



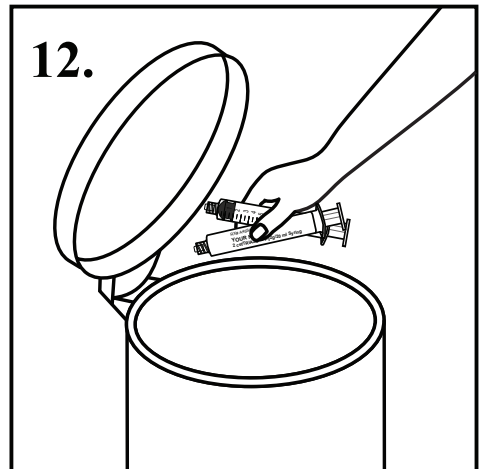
9. Disconnect the syringe from the cap.



10. Scrub the IV cap with alcohol for 15 seconds and allow to dry. Do not touch the cap after it is clean



11. USE 2 SALINE SYRINGES Attach saline syringe to the IV - press and turn clockwise. Push plunger to inject saline using “start-stop” method. Repeat with second syringe.



12. Remove the syringe from the cap. Discard all the supplies including the syringes.

If you have any questions about administering your intravenous medication via syringe, contact: _____



Making better decisions together with patients and families

For more copies, go online at <http://vch.eduhealth.ca> or email phem@vch.ca and quote Catalogue No. FA.200.A36

© Vancouver Coastal Health, March 2020

The information in this document is intended solely for the person to whom it was given by the health care team.

www.vch.ca